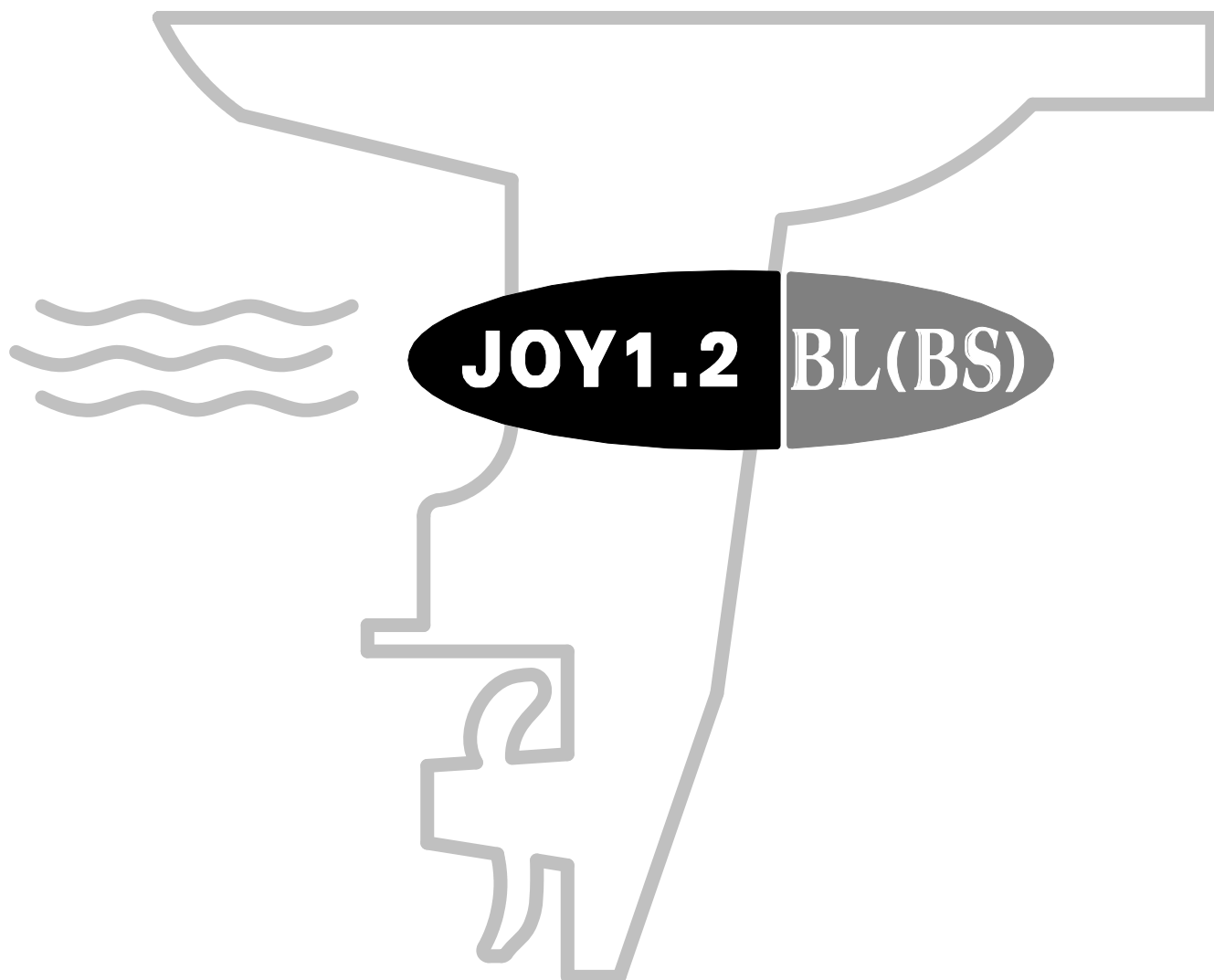


# 零件目录

# PARTS CATALOGUE



苏州百胜动力机器股份有限公司

SUZHOU PARSUN POWER MACHINE CO., LTD

# 目录

## CONTENTS

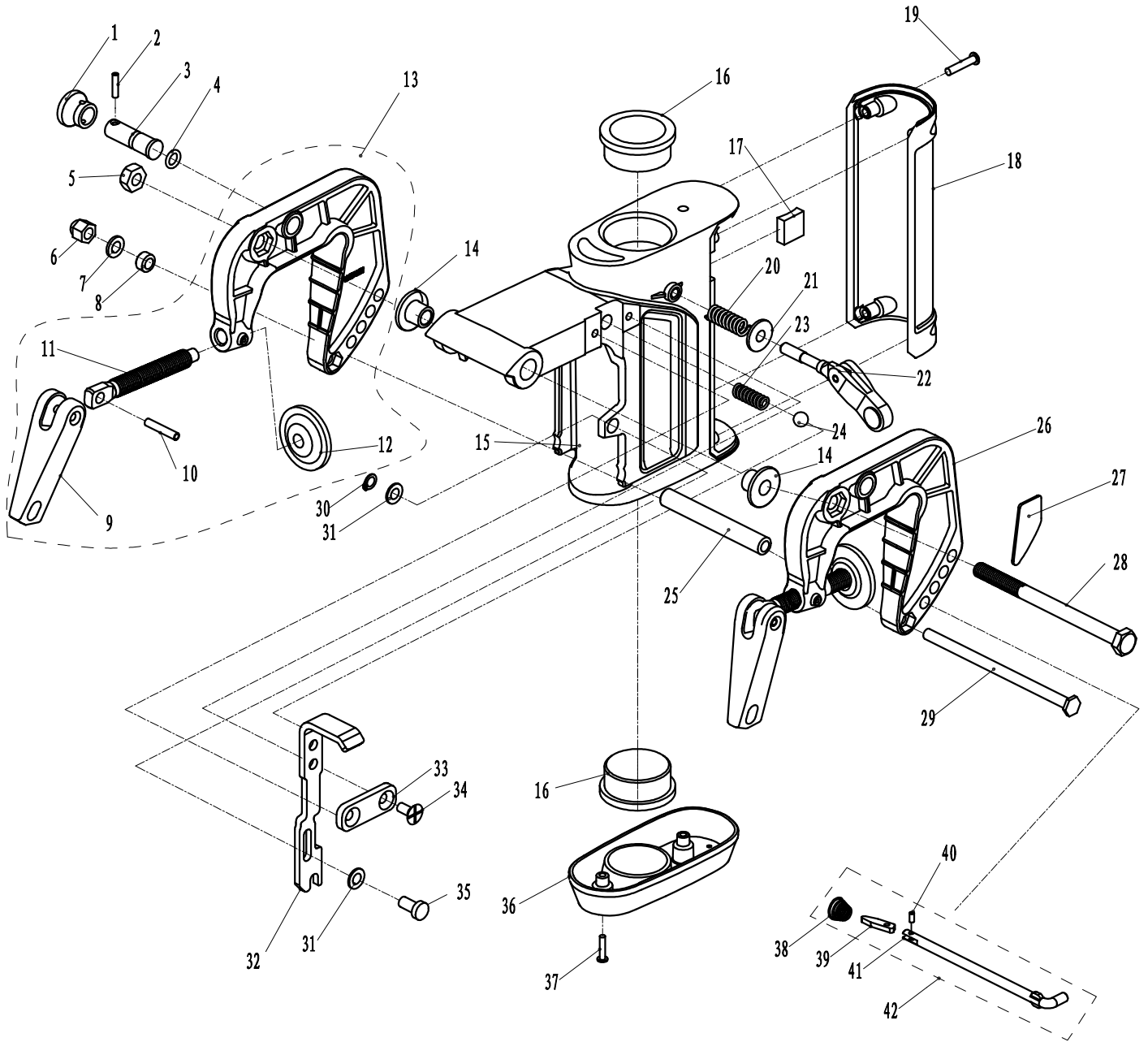
旋转支架组件	— — — — —	— 1 ~ 2
BRACKET ASSY	— — — — —	— 1 ~ 2
操舵手柄组件	— — — — —	— 3 ~ 4
HANDLE, STEERING ASSY	— — — — —	— 3 ~ 4
水上装置组件	— — — — —	— 5 ~ 6
UPPER CASING ASSY	— — — — —	— 5 ~ 6
水下装置组件	— — — — —	— 7 ~ 8
LOWER CASING ASSY	— — — — —	— 7 ~ 8
锂电池固定支架组件	— — — — —	— 9 ~ 10
BATTERY HOLDER ASSY	— — — — —	— 9 ~ 10
锂电池组件	— — — — —	— 11 ~ 12
BATTERY ASSY	— — — — —	— 11 ~ 12
零件目录检索表	— — — — —	— I ~ I
PARTS CATALOGUE INDEX	— — — — —	— I ~ I

零部件名称:

旋转支架组件

PARTS NAME:

BRACKET ASSY



零部件名称:

旋转支架组件

PARTS NAME:

BRACKET ASSY

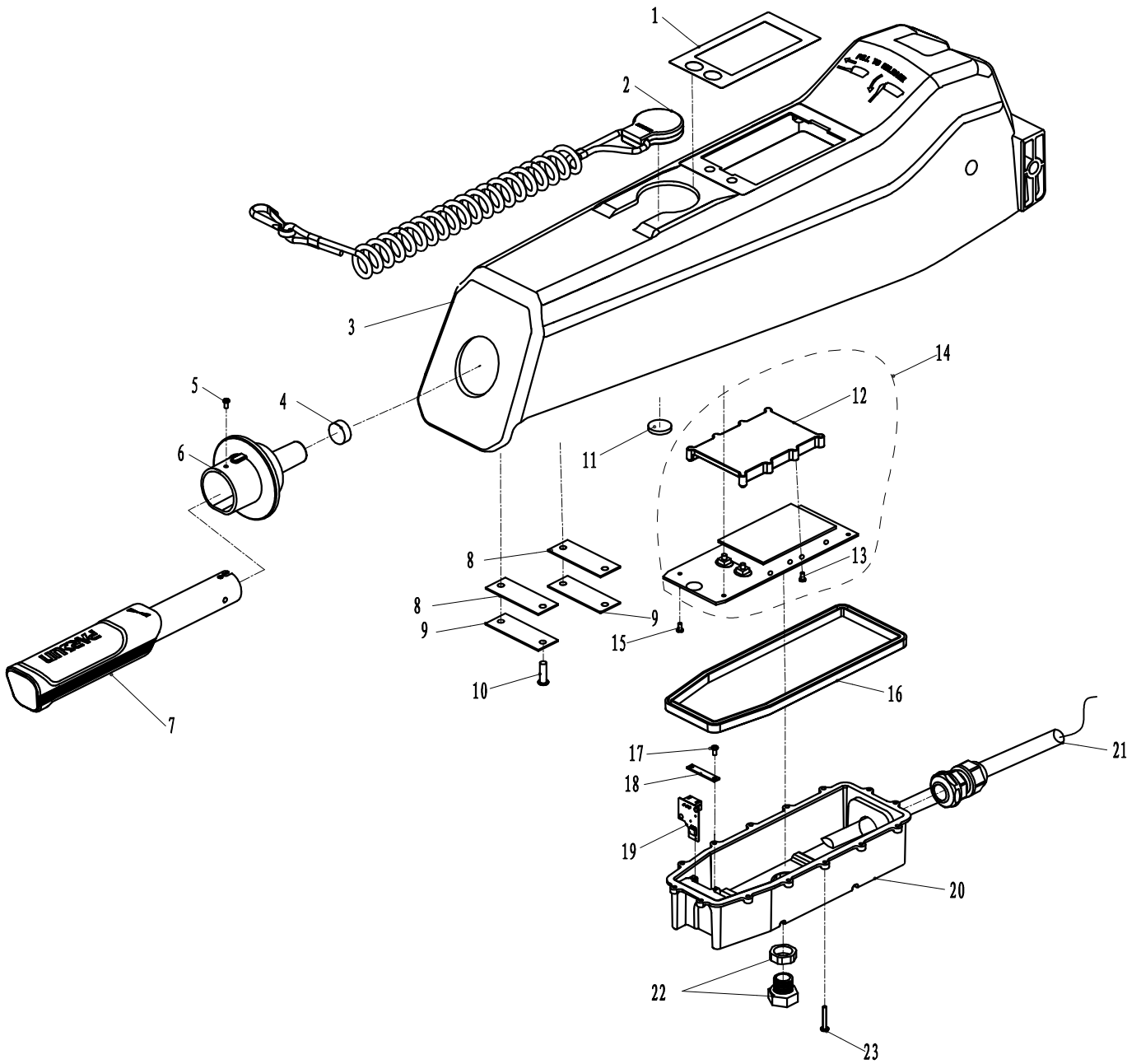
SN. 参照号码	PART NO. 零件编号	DESCRIPTION 零件名称(中文)	DESCRIPTION 零件名称(英文)	QTY 数量					REMARKS 备注
1	T2-01020003	起翘限位销轴手柄	TURN UP HANDLE	1					
2	GB/T879.2-3X14	轻型直槽弹性圆柱销3x14	PIN, SPRING 3X14	1					
3	JOY3-03000016	起翘限位销轴	TURN UP PIN ROLL	1					
4	GB/T3452.1-6.8X1.9	O形圈6.8x1.9	O-RING 6.8X1.9	1					
5	GB/T889.1-M8	I型非金属六角锁紧螺母M8	NUT M8	1					
6	GB 802-M6	组合盖型螺母M6	NUT M6	1					
7	GB/T93-6	弹性垫圈6	SPRING WASHER 6	1					
8	J50-01000004	螺栓垫管B	BOLT BUSHING B	1					
9	F4-01010004	舰板夹紧手柄	CLAMP SHIPBOARD HANDLE	2					
10	F4-01010005	舰板夹紧手柄铆钉	RIVET, CLAMP HANDLE	2					
11	F4-01010002	舰板夹紧螺杆	CLAMP BOLT	2					
12	F4-01010003	舰板夹紧圆盘	CLAMP PLATE	2					
13	JOY3-03000014	右夹紧托架组件	BRACKET RIGHT ASSY	1					
14	JOY3-03000011	旋转支架衬套	BRACKET BUSHING	2					
15	JOY3-03000001	旋转支架	BRACKET	1					
16	JOY3-03000002	穿线管衬套	CONDUIT BUSH	2					
17	JOY3-03000003	锁紧块组件	LOCKING BLOCK ASSY	1					
18	JOY3-03000005	旋转支架盖	BRACKET COVER	1					
19	GB/TT818-M4X20	十字槽盘头螺钉M4X20	SCREW M4X20	4					
20	F2.6-01050002	压缩弹簧	COMPRESS SPRING	1					
21	GB/T96-6	大垫圈6	BIG WASHER 6	1					
22	F2.6-01050100	锁紧手柄组件	LOCKED HANDLE ASSY	1					
23	F4-02000003	变档弹簧	SPRING, GEAR	1					
24	G8A2	钢珠8	BALL 8	1					
25	JOY3-03000010	螺栓垫管	BOLT BUSHING	1					
26	JOY3-03000013	左夹紧托架组件	BRACKET LEFT ASSY	1					
27	JOY3-00000004	整机标签	MACHINE LABEL	1					
28	GB/T5782-M8X105	六角螺栓M8X105	BOLT M8X105	1					
29	GB/T5782-M6X100	六角螺栓M6X100	BOLT M6X100	1					
30	GB/T894.1-6	A型轴用弹性挡圈6	SHAFT RING 6	1					
31	JOY3-03000012	尼龙垫片	NYLON SPACER	2					
32	JOY3-03000007	倒档锁杆	SHIFTING LOCK LEVER	1					
33	JOY3-03000008	倒档锁杆压板	REVERSE PRESSURE PLATE	1					
34	GB/T819-M5X10	十字槽沉头螺钉M5X10	SCREW, COUNTERSUNK HEAD M5X10	2					
35	JOY3-03000009	销轴	PIN ROLL	1					
36	JOY3-03000004	旋转支架垫块	BRACKET BLOCK	1					
37	GB/T818-M3X14	十字槽盘头螺钉M3X14	SCREW, PAN HEAD M3X14	2					
38	F4-01050002	锥形弹簧	SPRING, CONICAL	1					
39	JOY3-03000015-2	防脱落支脚	NOG, PREVENTED UNLOCK	1					
40	GB/T879-3X6	弹性圆柱销3X6	PIN, SPRING 3X6	1					
41	JOY3-03000015-1	角度调整杆	TILT ROD	1					
42	JOY3-03000015	角度调整杆组件	TILT ROD ASSY	1					

零部件名称:

操纵手柄组件

PARTS NAME:

HANDLE, STEERING ASSY



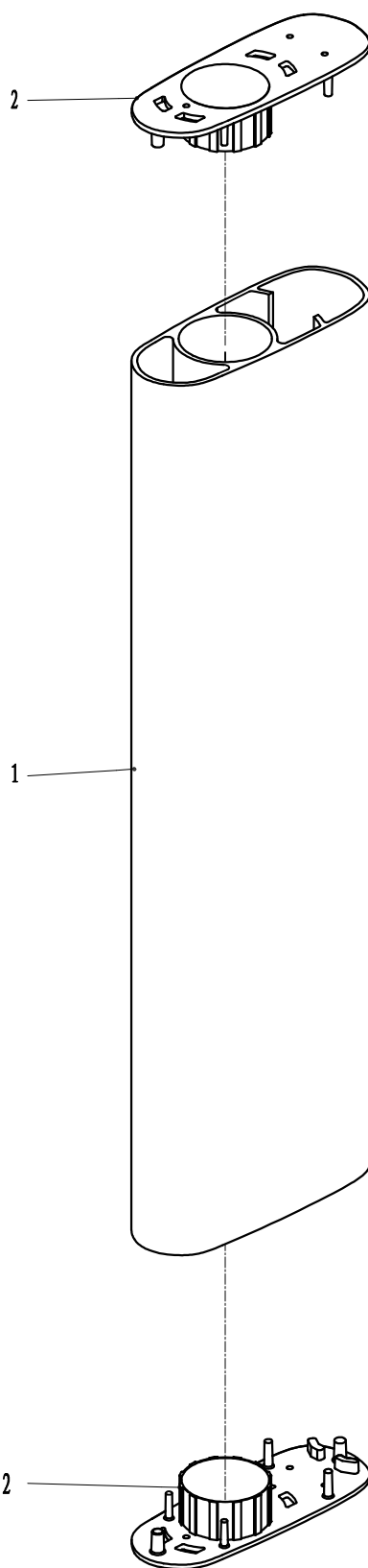


零部件名称:

水上装置组件

PARTS NAME:

UPPER CASING ASSY





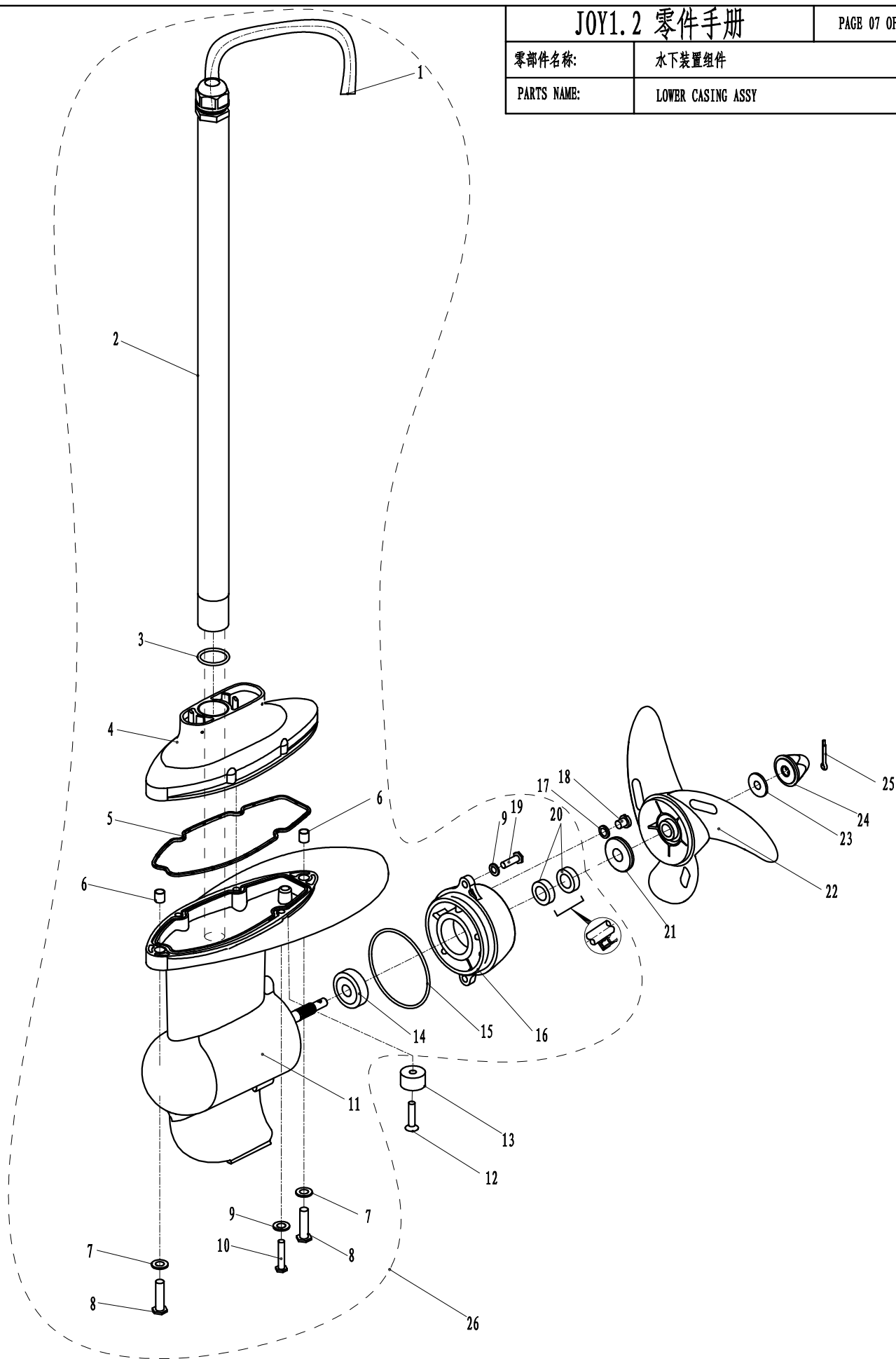


零部件名称:

水下装置组件

PARTS NAME:

LOWER CASING ASSY



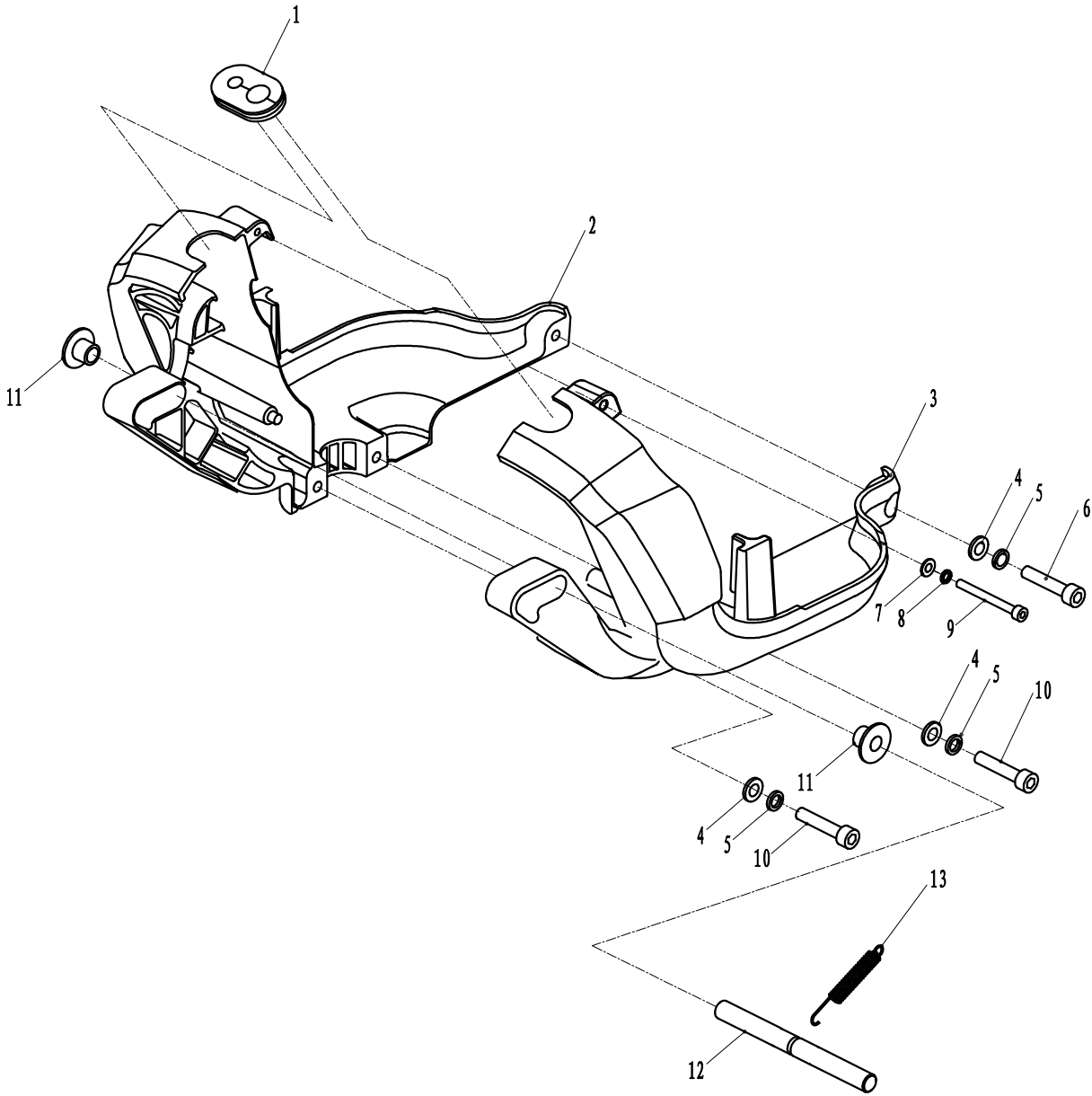


零部件名称:

锂电池固定支架组件

PARTS NAME:

BATTERY HOLDER ASSY



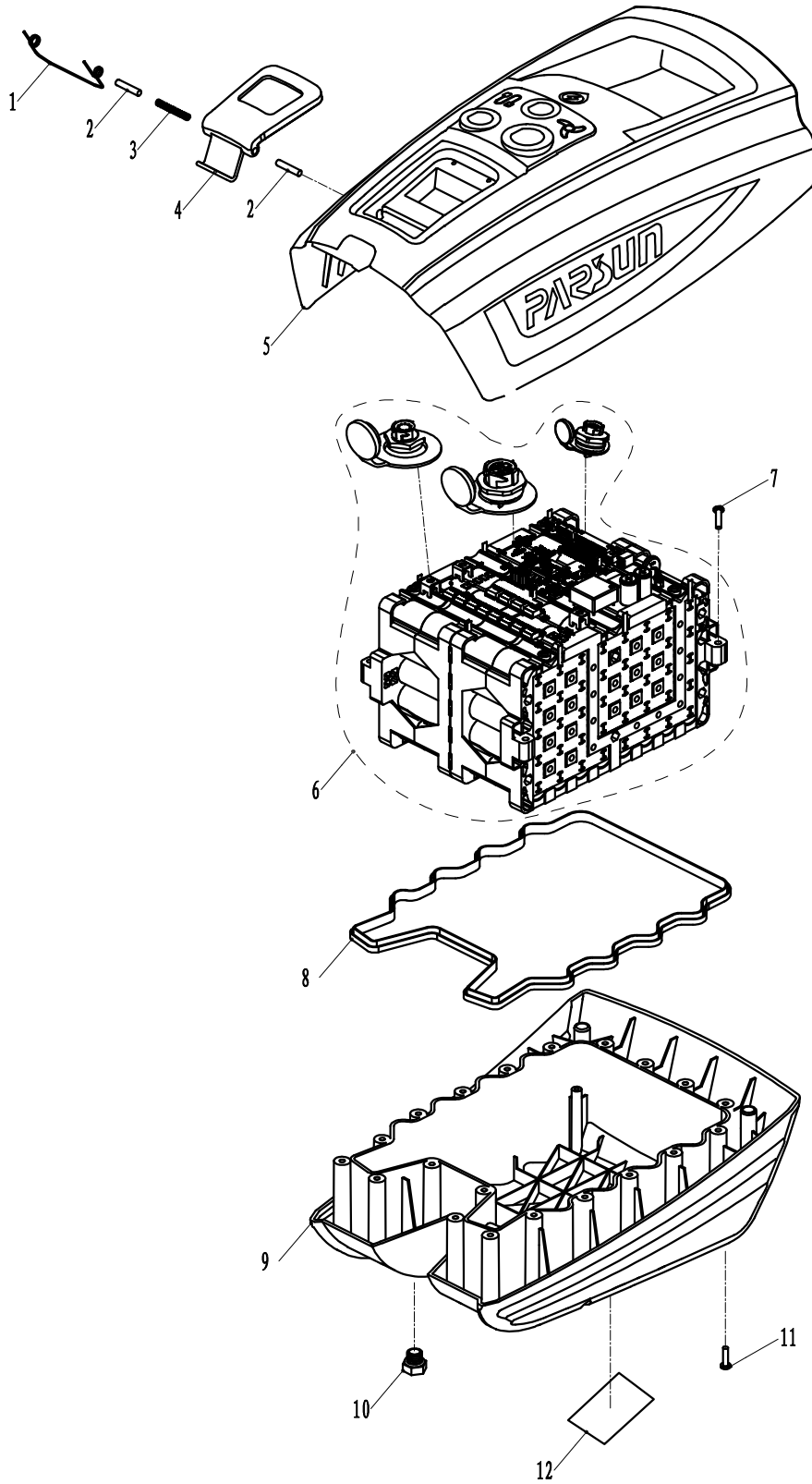


零部件名称:

锂电池组件

PARTS NAME:

BATTERY ASSY





零部件名称:

零件目录检索表

PARTS NAME:

PARTS CATALOGUE INDEX

零件代号 PART NO.	页码/序号 PAGE/NO.	零件代号 PART NO.	页码/序号 PAGE/NO.	零件代号 PART NO.	页码/序号 PAGE/NO.
NSK 6301ZZ	8-14	JOY3-04000001	6-1		
F2.6-01050002	2-22	JOY3-04000001S	6-1		
F2.6-01050100	2-24	JOY3-04000002	6-2		
F4-01010002	2-11	JOY3-05000002	8-11		
F4-01010003	2-12	JOY3-05000003	8-20		
F4-01010004	2-9	JOY3-05000005	8-1		
F4-01010005	2-10	JOY3-05000005S	8-1		
F4-01050002	2-39	JOY3-05000006	8-4		
F4-02000003	2-25	JOY3-05000007	8-2		
F4-03000023	8-18	JOY3-05000007S	8-2		
F4-03000024	8-17	JOY3-05000010	8-5		
F4-03000025	8-21	JOY3-05000011	8-16		
F4-03080000	8-24	JOY3-05000012	8-15		
F40-0000006D	8-13	JOY3-05000013	8-22		
J50-01000004	2-8	JOY3-05000014	8-26		
JOY3-00000001	10-12	JOY3-05000014S	8-26		
JOY3-00000002	10-13	JOY3-06000001	4-3		
JOY3-00000004	2-16	JOY3-06000002	4-11		
JOY3-01000001	12-6	JOY3-06000003	4-1		
JOY3-01000004	12-5	JOY3-06000004	4-15		
JOY3-01000005	12-8	JOY3-06000005	4-12		
JOY3-01000011	12-9	JOY3-06000006	4-17		
JOY3-01000012	4-24	JOY3-06000007	4-20		
	12-10	JOY3-06000008	4-23		
JOY3-01000013	12-4	JOY3-06000010	4-21		
JOY3-01000014	12-1	JOY3-06000012	4-7		
JOY3-01000016	12-2	JOY3-06000013	4-9		
JOY3-01000017	12-3	JOY3-06000014	4-8		
JOY3-01000018	12-12	JOY3-06000015	4-19		
JOY3-02000001	10-3	JOY3-06000016	4-2		
JOY3-02000002	10-2	JOY3-06000017	4-6		
JOY3-02000003	10-1	JOY3-06000018	4-4		
JOY3-03000001	2-15	T2-01020003	2-1		
JOY3-03000002	2-18	T5-00000002	8-6		
JOY3-03000003	2-19				
JOY3-03000004	2-37				
JOY3-03000005	2-20				
JOY3-03000007	2-33				
JOY3-03000008	2-34				
JOY3-03000009	2-36				
JOY3-03000010	2-27				
JOY3-03000011	2-14				
	10-11				
JOY3-03000012	2-32				
JOY3-03000013	2-28				
JOY3-03000014	2-13				
JOY3-03000015	2-43				
JOY3-03000015-1	2-42				
JOY3-03000015-2	2-40				
JOY3-03000016	2-3				